

## LIST OF ACCESSIBLE PARAMETERS

### Meters

- Voltage
- Current
- Equalize Time Remaining
- Battery Temperature\*

### Setpoints

- Float Voltage
- Equalize Voltage
- Equalize Time
- Current Limit
- High DC Voltage
- Low DC Voltage
- High DC Shutdown Enable

### Status

- Temperature Probe Installed\*
- Forced load Share Enabled\*

### Charger Mode

- Float
- Equalize

### Equalize Method

- Manual
- Timer
- Auto

### Alarms

- High DC Voltage
- Low DC Voltage
- DC Output Failure
- AC Input Failure
- Positive Ground Fault
- Negative Ground Fault
- High DC Voltage Shutdown
- Common Alarm Relay
- Error Number Code - Self diagnostics

\*These items are not accessible from front panel of battery charger.

ORDERING INFORMATION	
<b>COMMUNICATIONS KIT</b>	<b>PART #</b>
12 Vdc Charger	EJ5037-01
24 Vdc Charger	EJ5037-02
48 Vdc Charger	EJ5037-03
130 Vdc Charger	EJ5037-04
<b>Modem Option**</b>	<b>PM5005-00</b>
<b>Modem Cable Option**</b>	
10 Foot Cable	EH5026-00
25 Foot Cable	EH5026-01
50 Foot Cable	Part Number EH5026-01

### Communications kit includes:

- A12 Communications board
- A14 Power supply for specific charger voltage rating
- AT Series Remote Application Software for PC
- Operation Manual

\*\*This equipment is industry standard. It may be purchased thru HindlePower or acquired from a local supplier. Contact HindlePower for specific equipment requirements.

## TYPICAL APPLICATIONS

### for SCADA Systems using DNP or MODBUS protocols

Figure 1. RS-485 Half-duplex Multi-Drop

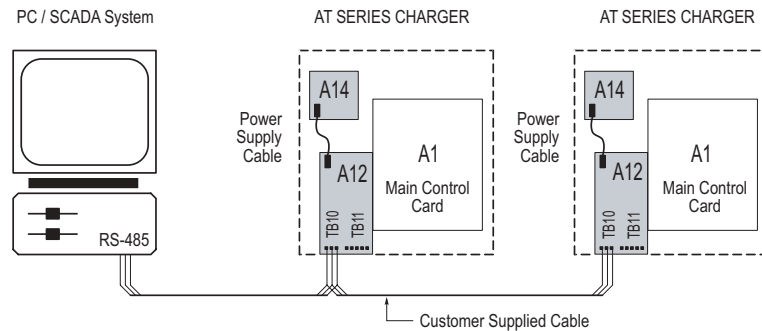


Figure 2. Standard RS-232 connection with or without hardware handshaking

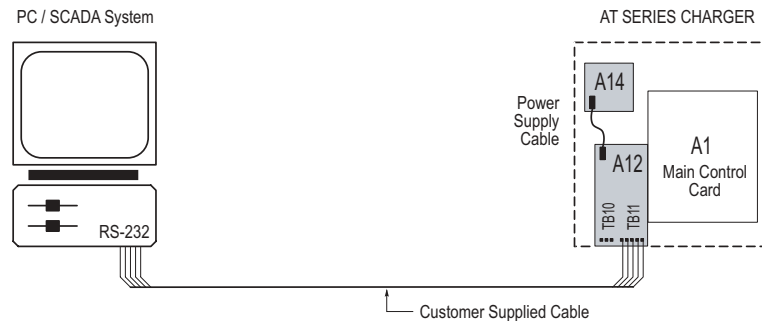


Figure 3. Remote communications using a modem

