

図番 AZ22792

記録

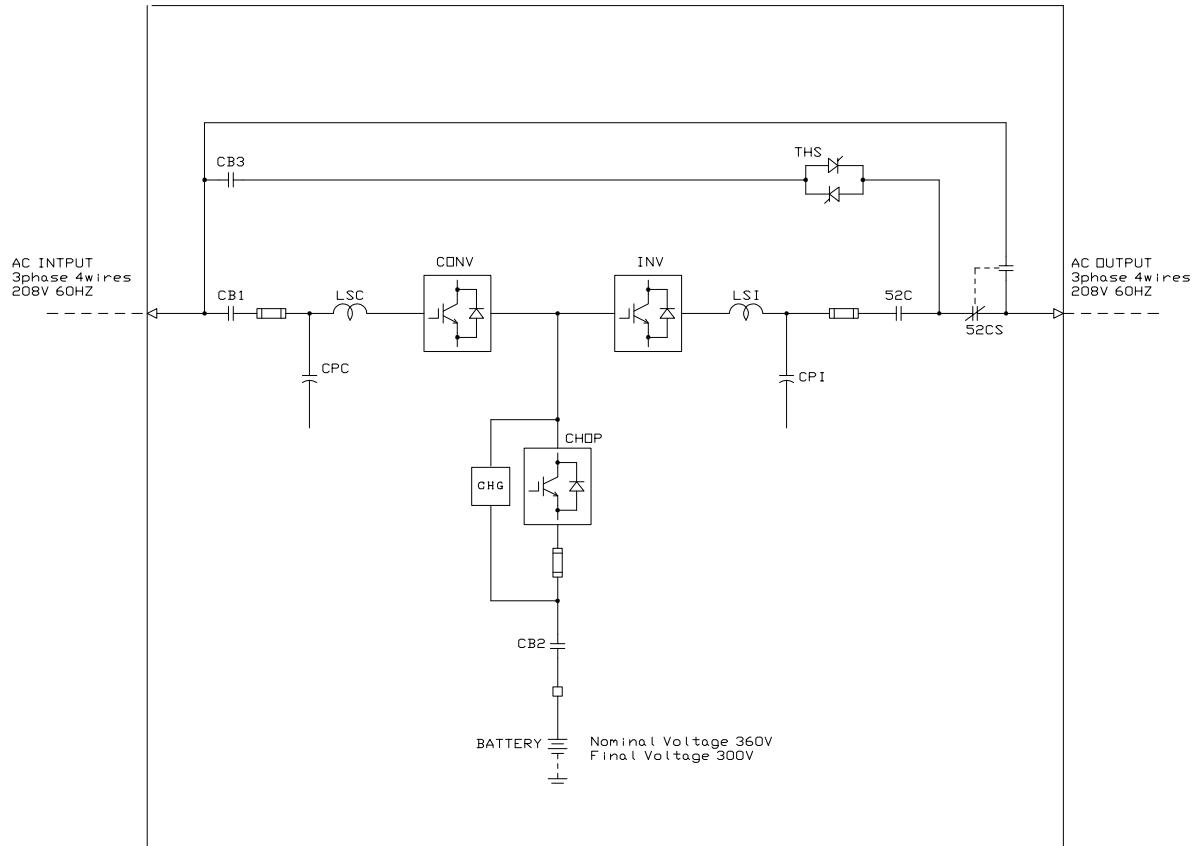
UP33BU

E01

97-03

1 2 3 4 5 6 7 8 9

10 kVA 8 KW UPS



Win版

CAD

出図先

DF

UPS棟

控

計

1 2 3 4 5 6 7 8 9



MITSUBISHI ELECTRIC

日付 DATE

MAR. 22. 02

作成・図面 DRAWN

T. KOUYA

設計・検認 APPROVED

T. KOUYA

SYSTEM CONFIGURATION

AZ22792

SHEET NO. E01

PAGE NO. 002

図番 AZ22792

記録

UP33AD

20KVA

A

B

C

D

E

F

2

3

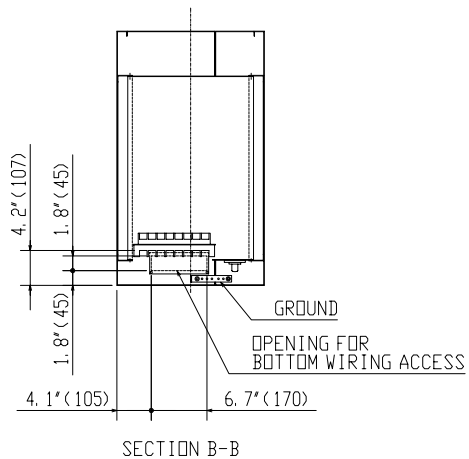
4

5

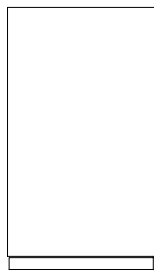
6

7

8

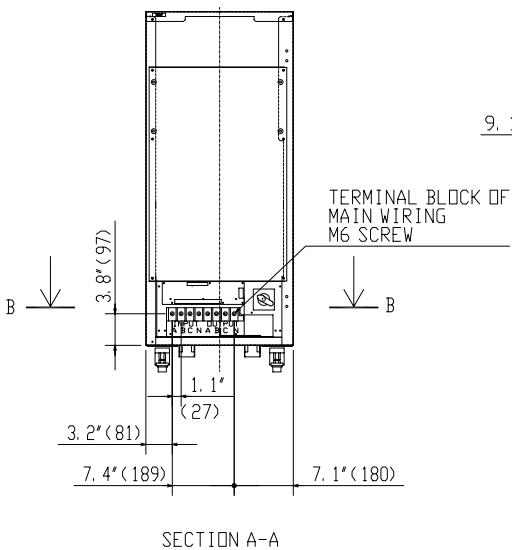


SECTION B-B

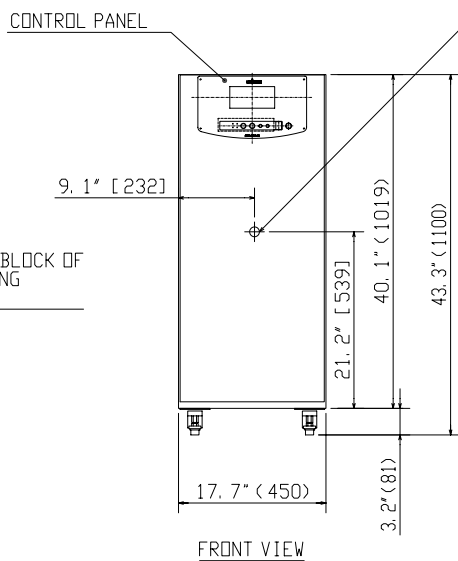


TOP VIEW

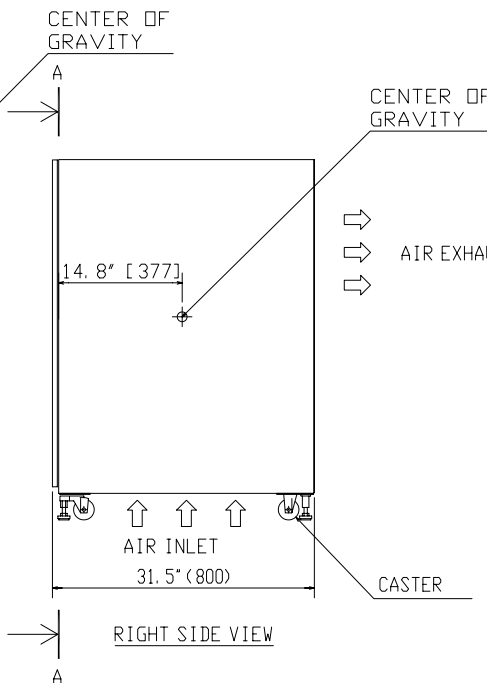
- NOTES
1. DIMENSIONS ARE IN INCHES (MILLIMETERS)
 2. OVERALL DIMENSIONS DO NOT INCLUDE SIDE AND REAR PANELS BOLT HEADS
 3. CABINETS SHOULD BE MAINTAINED UPRIGHT WITHIN 15° DURING HANDLING
 4. APPROXIMATE WEIGHT: 562 lbs(255kg) INCLUDE BATTERY



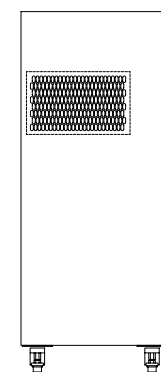
SECTION A-A



FRONT VIEW



RIGHT SIDE VIEW



BACK SIDE VIEW

RJA
FG33AD
S1AZ22792
G=1

三角画法
尺度 SCALE
1:20

出図先

DF

UPS機

控

計

1

2

3

4

5

6

7

8

MITSUBISHI ELECTRIC CORPORATION		TITLE 2033C SERIES 10KVA OUT LINE	SHEENo. J01
作成日付 DATE	MAR. 22. 02	DWG. No.	PAGENo. 003
作成・照査 DRAWN	T. KOUYA	AZ22792	
設計・検討 APPROVED	T. KOUYA		
A NOV. 20. 02 H.N			

図番 AZ22792

記録

UP33AD

20KVA

A

B

C

D

E

F

2

3

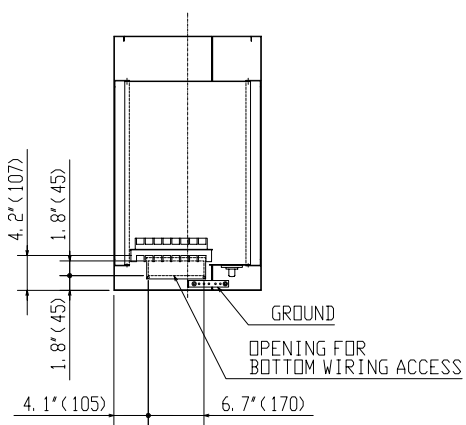
4

5

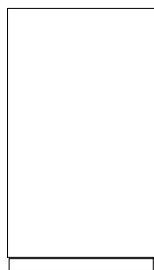
6

7

8



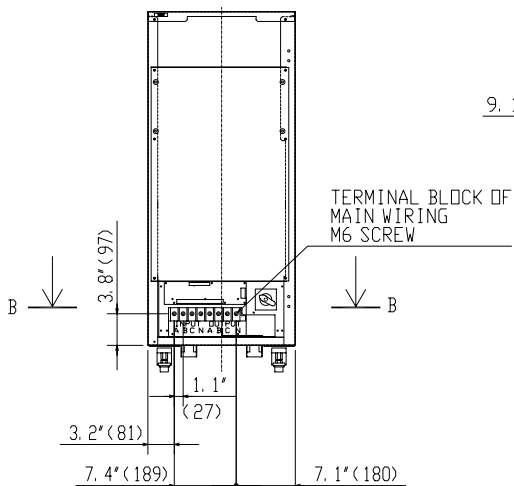
SECTION B-B



TOP VIEW

NOTES

1. DIMENSIONS ARE IN INCHES (MILLIMETERS)
2. OVERALL DIMENSIONS DO NOT INCLUDE SIDE AND REAR PANELS BOLT HEADS
3. CABINETS SHOULD BE MAINTAINED UPRIGHT WITHIN 15° DURING HANDLING
4. APPROXIMATE WEIGHT: 383 lbs (176kg) NOT INCLUDE BATTERY



SECTION A-A

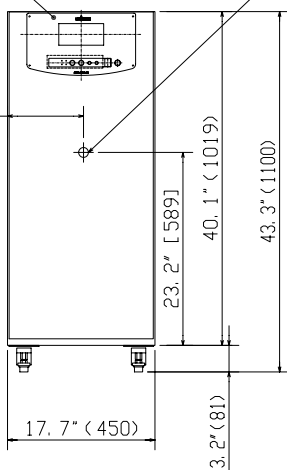
CONTROL PANEL

9.1" [232]

TERMINAL BLOCK OF MAIN WIRING M6 SCREW

B

B



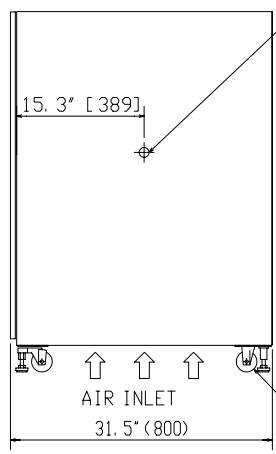
FRONT VIEW

CENTER OF GRAVITY

A

CENTER OF GRAVITY

A

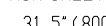


RIGHT SIDE VIEW

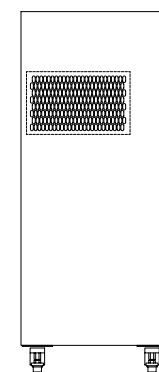
AIR EXHAUST



AIR INLET



CASTER



BACK SIDE VIEW

RJA FG33AD S1AZ22792 G=1

三角画法 尺度 SCALE 1:20

出図先

DF

UPS機

控

計

1

2

3

4

5

6

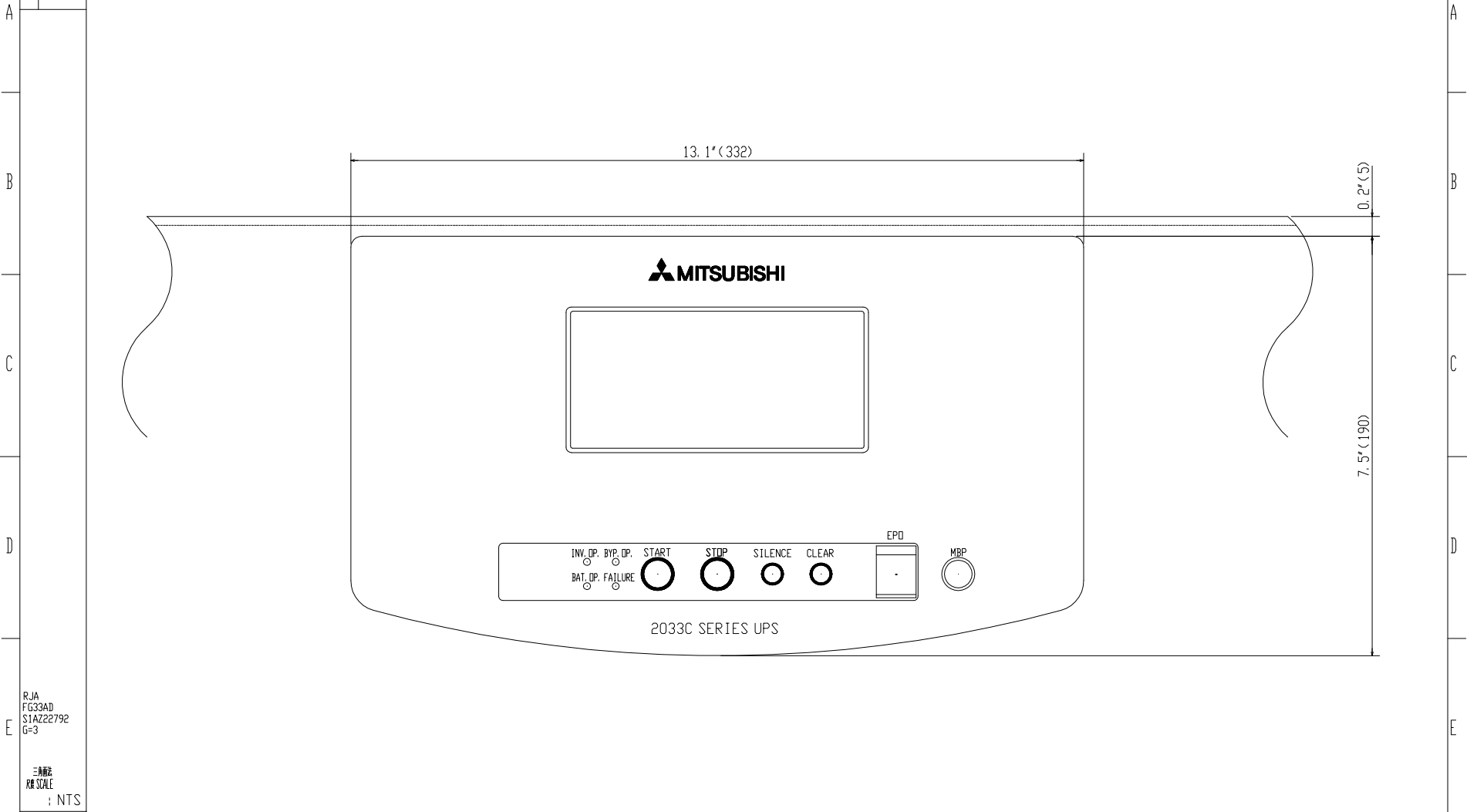
7

8

MITSUBISHI ELECTRIC CORPORATION		TITLE	SHEENo.
作成日付 DATE		2033C SERIES 10KVA	J02
DRAWN		OUT LINE	
DESIGN・CHECKED		DWG. No.	PAGNo.
H. NAGANO		AZ22792	003
H. NAGANO			

圖號 AZ22792 | 2 | 3 | 4 | 5 | 6 | 7 | 8

記錄
UP33AD
20K



RJA
FG33AD
S1AZ22792
G=3

三菱電機
R/R SCALE
: NTS

出圖先	
DF	
UPS技	
控	
計	

MITSUBISHI ELECTRIC CORPORATION		TITLE	SHEET No.
作成日 DATE	MAR. 22. 02	CONTROL PANEL	K01
作成・監製 DRAWN	T. KOUYA	FIG. No.	PAGE No.
設計・校核 APPROVED	T. KOUYA	AZ22792	004 / 004

F

1 | 2 | 3 | 4 | 5 | 6 | 7 | 8