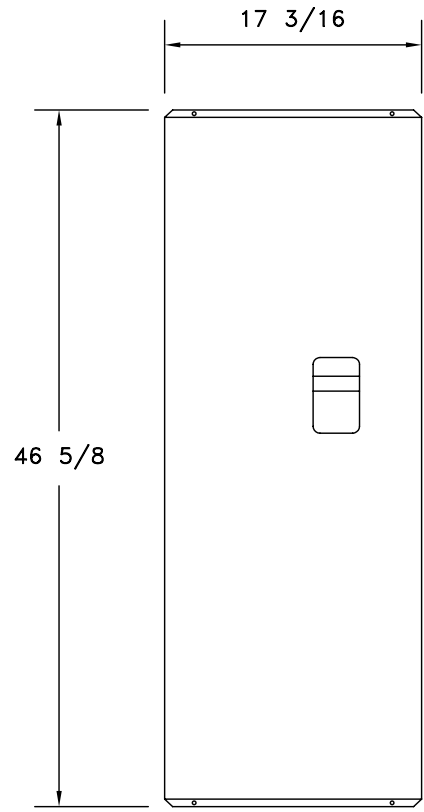
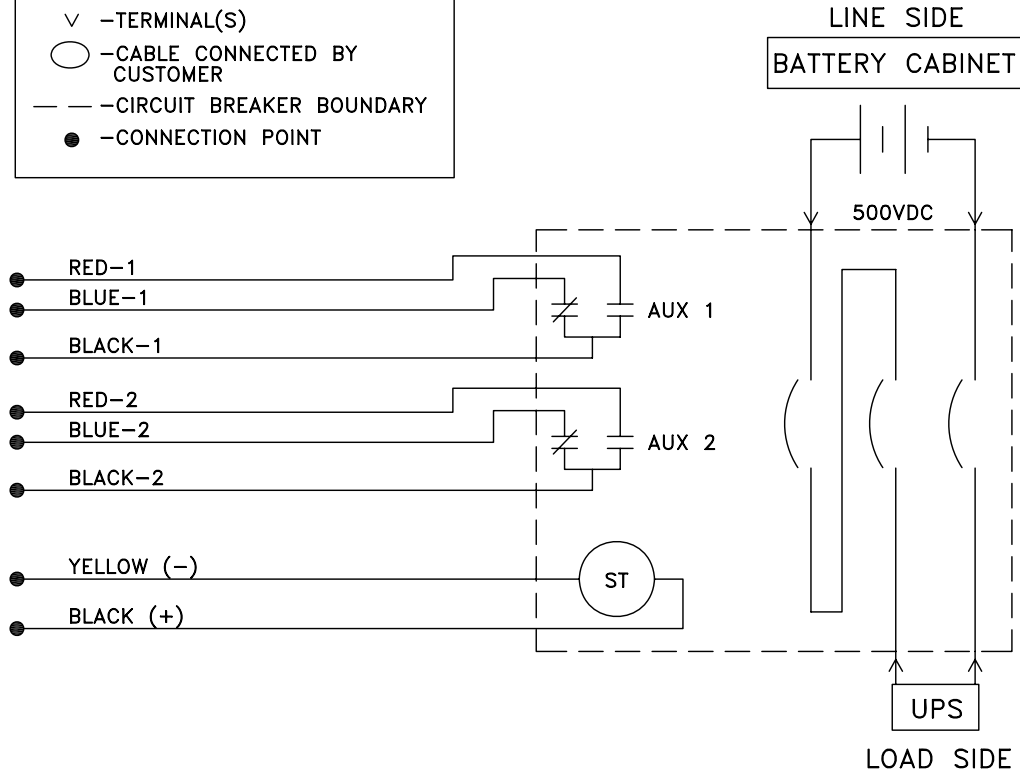
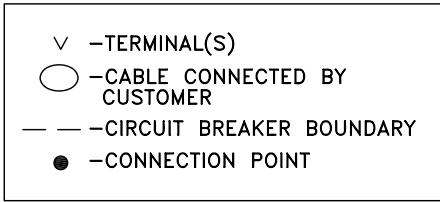
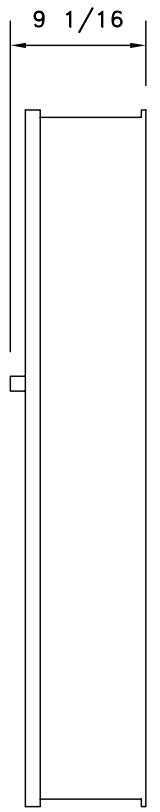


LEGEND



FRONT ELEVATION



SIDE ELEVATION

500A FIXED TRIP, 500VDC, 3 POLE MANUALLY OPERATED CIRCUIT BREAKER DISCONNECT SWITCH WITH ENCLOSURE INTERRUPTING RATING-30 kAIC

SPECIFICATIONS:

ENCLOSURE: TJ600S, NEMA 1 SURFACE MOUNTED, ANSI 61 FINISH
 CIRCUIT BREAKER: TJK636500WL, 3-POLE DC CIRCUIT BREAKER

LIST OF MATERIALS

STORAGE BATTERY SYSTEMS

- PROPRIETARY INFORMATION -
 This document contains ASTRO proprietary and confidential information. It is loaned for the limited purposes only and remains the property of ASTRO and must not be disclosed to persons not having need of such disclosure consistent with the purpose of the loan. This document is to be returned to ASTRO upon request or upon completion of the use for which it was loaned.
 - NOT TO SCALE DRAWING -

CUSTOMER:		STORAGE BATTERY SYSTEMS			
LOCATION:		-ELEVATION-			
DESCRIPTION:		STORAGE BATTERY SYSTEMS			
TYPE OF DRAWING:		-ELEVATION-			
DATE ORDERED:	DFTR	CHK	ENG	DATE: 7-11-06	DRAWING NO.
P.O. #:	JCH	DM		ASTRO JOB#: 15081	REV
					A-0-15081-01

NEXT ASSEMBLY