

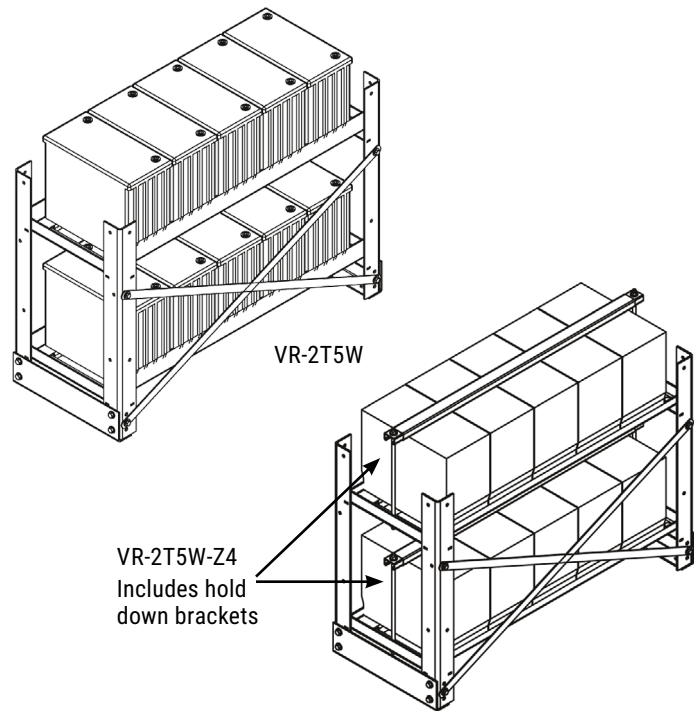
# VRLA Battery Rack Configurations

For 30-225 Ah 6 & 12 Volt S, G and UPS Series Batteries

The SBS VRLA racks have adjustable rails allowing them to hold top terminal 6 or 12 volt VRLA batteries ranging from 30 to 225 Ah (100 to 800 Wpc). The heavy duty yet light frame makes them easy to move and install.

## Features

- When ordered with batteries includes cables and jumper(s)
- -Z4 racks seismically certified to Zone 4 UBC standards
- Powder coated with ASA 61 Gray, corrosion-resistant, epoxy powder
- All welded construction with 7 GA frame and rails
- Floor mounting brackets included with all racks
- Ship pre-assembled for fast installation
- Adjustable rails with 3" lip



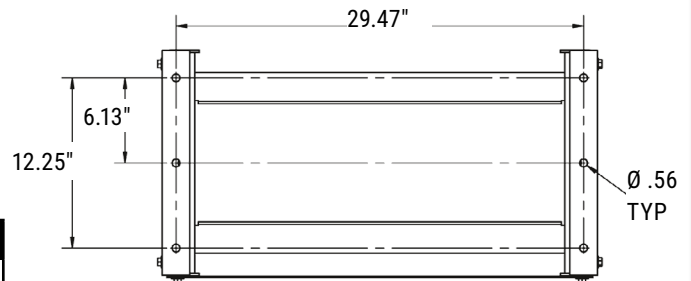
## Seismic Zone 4 Certified

The VRLA rack rails have 3" high lips. Batteries that are shorter than 7" high do not require the '-Z4' hold down bracket option for seismic Zone 4 applications.

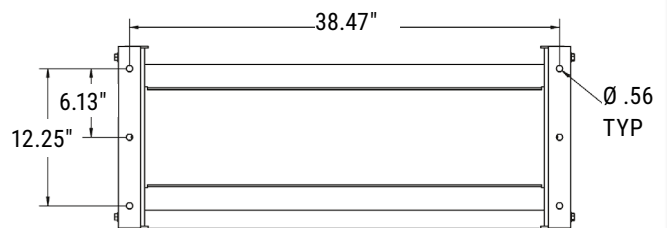
When a seismic rack is required for VRLA batteries taller than 7" high the '-Z4' option should be ordered and a hold down bracket kit will be provided with the rack.

## Technical Data

Part No.	Description	Batteries (6 or 12V)	Dimensions W x D x H (in.)	Weight (lb.)
VR-1T4W	1 tier x 4 batt.	4	31.5 x 16.3 x 28.3	30
VR-1T4W-Z4	1 tier x 4 batt.	4	31.5 x 16.3 x 28.3	36
VR-2T4W	2 tier x 4 batt.	8	31.5 x 16.3 x 28.3	40
VR-2T4W-Z4	2 tier x 4 batt.	8	31.5 x 16.3 x 28.3	46
VR-2T5W	2 tier x 5 batt.	10	40.5 x 16.3 x 28.3	50
VR-2T5W-Z4	2 tier x 5 batt.	10	40.5 x 16.3 x 28.3	56
VR-4T5W	4 tier x 5 batt.	20	40.5 x 16.3 x 67.5	98
VR-4T5W-Z4	4 tier x 5 batt.	20	40.5 x 16.3 x 67.5	104



Bottom view - mounting footprint for 31.5"W racks



Bottom view - mounting footprint for 40.5"W racks